

# European Rail Rent

Data sheet

Page 1 / 3

## Container carrier Sgmmnss 40



### General data

Load limits

| ★★★ | A    | B1   | B2   | C2   | C3<br>C4 | D2   | D3 | D4   |
|-----|------|------|------|------|----------|------|----|------|
| S   | 47,5 | 51,0 | 55,5 | 65,5 |          | 70,1 |    | 73,5 |
| SS  | 47,5 | 51,0 | 55,5 |      |          | 63,5 |    |      |

**Ca. 16,5 t**

Tare

**35 m**

R<sub>min</sub>

**TEN GE / G1**

Gauge

**22,5 t**

Axle load

**2°30'**

Ramp angle

**13.540 mm**

Length over buffe

**11.985 mm**

Loading length

**2.600 mm**

Loading width

**1.155 mm**

Loading height

### Running gear

**Y25**

Bogie

**920 mm**

Wheel diameter

**25 t**

Wheel set type

**BA 386**

Axle box type

**Coil spring**

Suspension

### Brakes

**KE-GP-A (K) 2 x 10''**

Type

**2 x Bg, Jurid 816M**

Braking pads

**autom. max. 72 t**

Load braking

**100%, operated from ground**

Hand brake

**150 l**

Air reservoir

### Draw gear and buffer

**Kat. A / 105 mm**

Buffer

**340 x 450 mm**

Buffer plate dimensions

**1.500 kN**

Draw gear

**1.350 kN**

Screw coupling

### Equipment

4 fixed container spigots, 12 hinged container spigots with pin

### Option

GPS module

### Load goods

Container and Swap Body acc. IRS 50592-2 and IRS 50596-6



ERR European Rail Rent GmbH

Schifferstr. 196  
47059 Duisburg

Tel.: +49 (0)203 9355 56 -0  
Fax: +49 (0)203 9355 56 -11

info@railrent.com  
www.railrent.com

# European Rail Rent

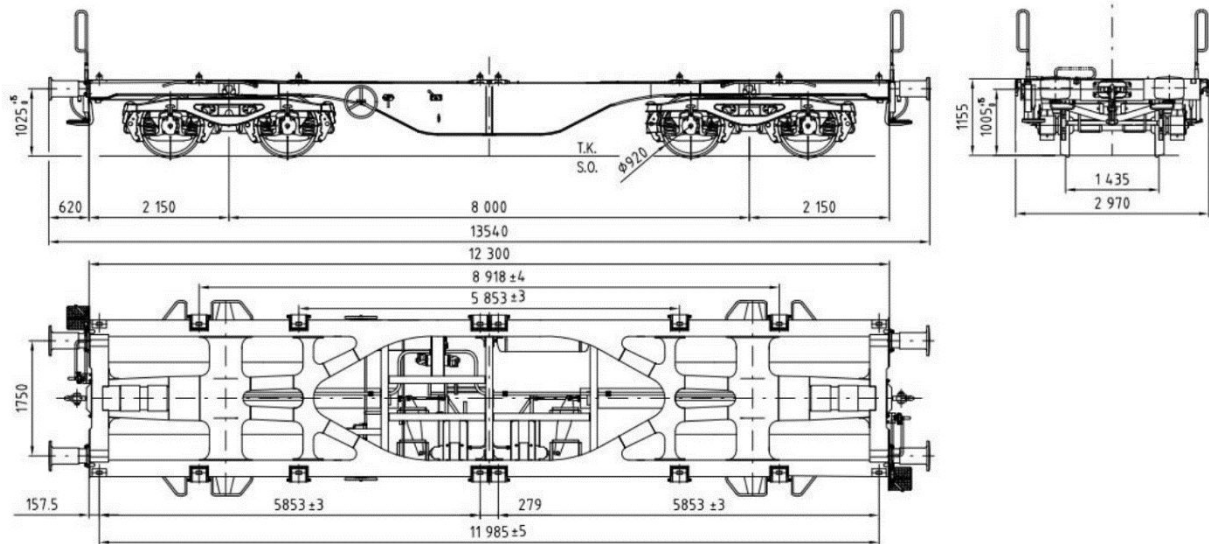
Data sheet

Page 2 / 3

**Container carrier**  
Sgmmnss 40



## Appendix



**ERR** European Rail Rent GmbH

Schifferstr. 196  
47059 Duisburg

Tel.: +49 (0)203 9355 56 -0  
Fax: +49 (0)203 9355 56 -11

info@railrent.com  
www.railrent.com

# European Rail Rent

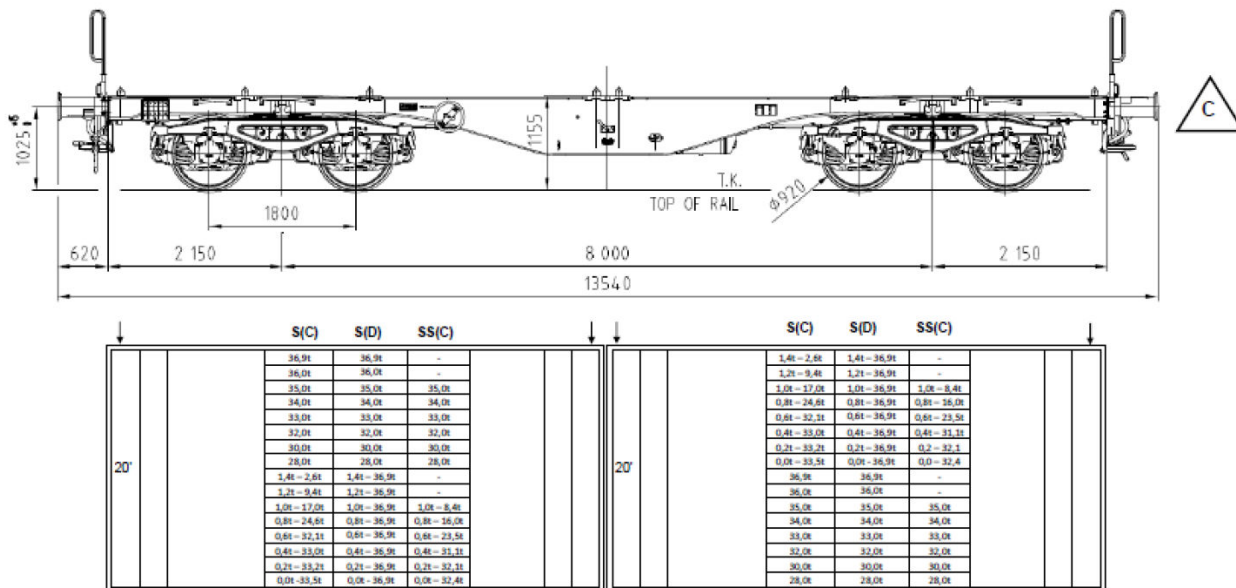
Data sheet

Page 3 / 3

**Container carrier**  
Sgmmnss 40



## Load combinations



ERR European Rail Rent GmbH

Schifferstr. 196  
47059 Duisburg

Tel.: +49 (0)203 9355 56 -0  
Fax: +49 (0)203 9355 56 -11

info@railrent.com  
www.railrent.com